

Technical Information for Typical Stretch Ceilings

Maximum Recommended Square Metre Size Per Sheet on Aluminium Tracks

Matt – 50 sq. m / Satin – 50 sq m / Lacquer & Metallic – 50 sq. m / Translucent – 50 sq. m

Weight per sq mt

Matt/Translucent – 0.18kg / Satin – 0.17kg / Lacquer & Metallic 0.17kg

Acoustic Properties ISO 354:2003 – 100mm VOID

Absorption coefficients guide for typical installation using stretched materials with minimum 40mm insulation above.

Standard Non Perforated

	B					
Frequency (HZ)	125	250	500	1k	2k	4k
Absorption Coefficient	0.27	0.71	0.80	0.40	0.23	0.11

Perforated 250,000 holes / per sq mt

	A					
Frequency (HZ)	125	250	500	1k	2k	4k
Absorption Coefficient	0.27	0.74	0.92	0.67	0.58	0.43

Thermal Emission Factor NH/PTH

Matt – 0.16 / Satin 0.16 / Lacquer & Metallic – 0.15

Thermal Emission Factor ESPIL

Matt 0.84 / Satin 0.84 / Lacquer & Metallic – 0.85

Antistatic

Typical average for Lacquer – 4.10 at 11ohms

Light reflectance and transmission

Colour / finish	Reflectance %	Transmission %
White Lacquer	78.8	9.6
White Matt	81	9.8
Translucent	39.2	74.9

Fire Rating

Awarded new Euro classification to: EN13501-1, Rating: B S1 d0, UK Equivalent to Class “0” designation for building regulations.

Vapour Barrier

Stretch has gained awards from the Swimming Pool and Allied Trades Association – Water Vapour Permeability Tested To BS 3177

Hygiene Typical Microbiological Trial

14 Days – chlorinated solution wipe after 7 days – inoculated Bacterium – E.Coli, Listeria, Salmonella, Yeast, Mould – NONE DETECTED.

General

Ceiling sheet thickness nominal 0.2mm and is manufactured in roll form with ultrasonic flush welded joints starting at approx 1.5m centres. Plastic track can be heat bent to match curved profiles. Aluminium track is anodised to 20 microns with a serrated type to create curved profiles or to form three-dimensional shapes, domes or vaults.

Installation

Track is screwed (& plugged) to supplied surfaces which should be rigid and true. Plasterboard should be skimmed and have a background member within, to take 12-15kg per linear metre tension. The jointing double track can be suspended using timber or MF metal studwork. Installation of the sheet requires raising of air temperature to approx 100°F/38°C using propane gas heaters by us albeit the site should be heated in winter. All adjustments and apertures for lighting, ducts and pipework are made on site. Silicone sealed tracks can achieve impermeable barrier, as required for swimming pools and asbestos containment etc. Decorated walls must have 1st coat applied and tiled walls must be grouted before tracking. Wall coverings should be applied after tracking. Care should be taken by other trades once the panel is installed to prevent damage and the area/void should be clear of all obstruction. As the product is a fabric material a minor deflection may be apparent in some panels, it is advisable to have a minimum gap above doors etc of 100mm. We can accept no responsibility for any effects achieved.

Air Movement

All air handling within the installed area must be balanced to prevent ceiling movement and possible damage for pools. Handling equipment should not be run with covers off during servicing.

Cleaning

Use non-abrasive cleaners and polish with an evaporating cleaner to remove any streaks.

Guarantee

This product is covered by a 12 year Guarantee.

Stretch Aid

Stretch Ceilings prides itself on its dedicated maintenance and aftercare workforce, specialising in all Stretch Ceiling products.

PRODUCT, COLOURS, DESIGNS AND SPECIFICATIONS MAY CHANGE WITHOUT NOTICE, WE ALSO RESERVE THE RIGHT TO SUBSTITUTE PRODUCTS.

Stretch Ceilings Ltd

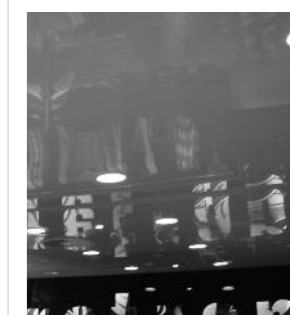
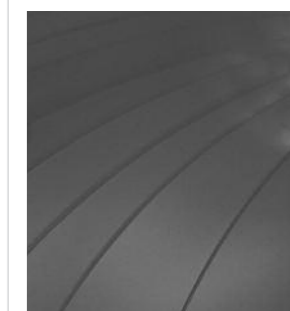
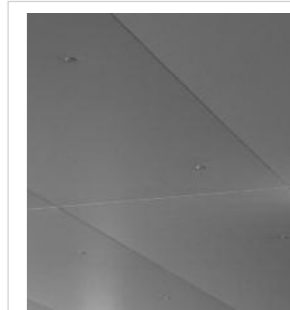
Doman Road, Yorktown Industrial Estate, Camberley, Surrey GU15 3DF

t +44 (0)1276 681000 f +44 (0)1276 406900 e info@stretchceilings.co.uk www.stretchceilings.co.uk

Revised 07/2012



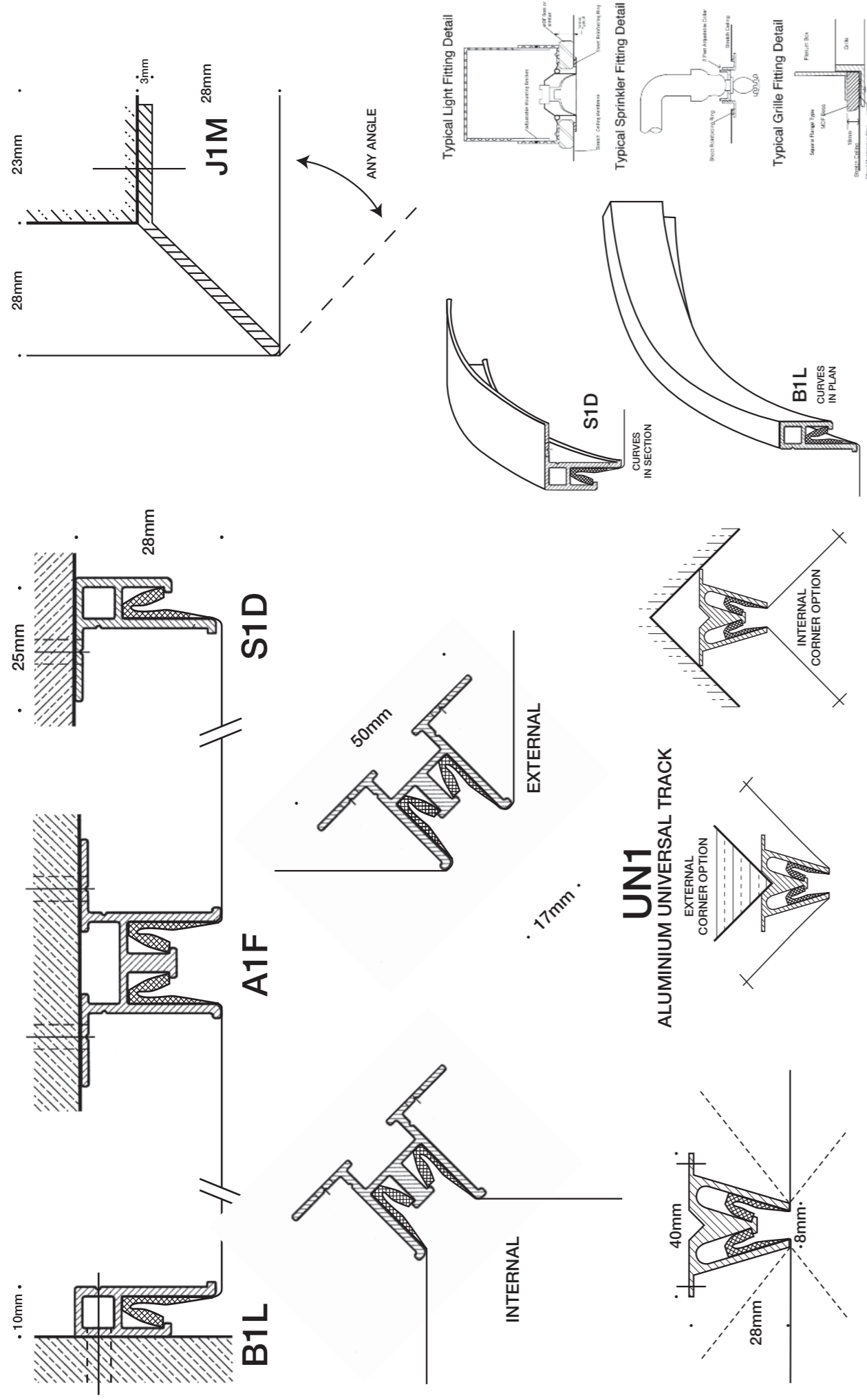
stretchceilings



Technical Information

ALUMINIUM TRACK SECTIONS I

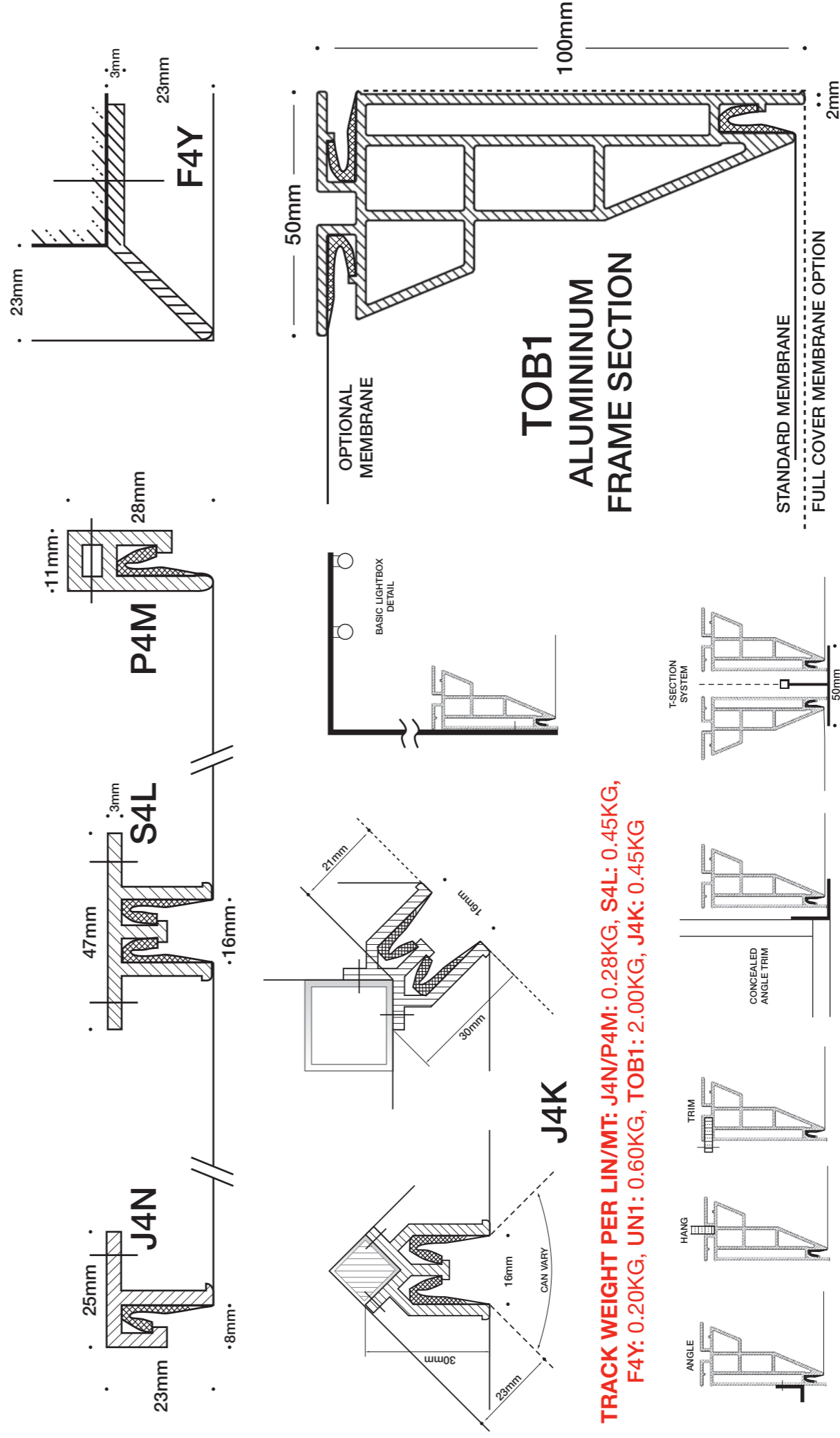
ALL TRACKS AVAILABLE IN CAD FORMAT ON OUR WEBSITE



TRACK WEIGHT PER LIN/MT: B1L: 0.33KG, S1D: 0.36KG, A1F: 0.62KG, J1M: 0.30KG

TRACK SECTIONS II

PLASTIC RANGE, SOLID COLOUR WHITE OR BLACK (FLEXIBLE)



TRACK WEIGHT PER LIN/MT: J4N/P4M: 0.28KG, S4L: 0.45KG, F4Y: 0.20KG, UN1: 0.60KG, TOB1: 2.00KG, J4K: 0.45KG